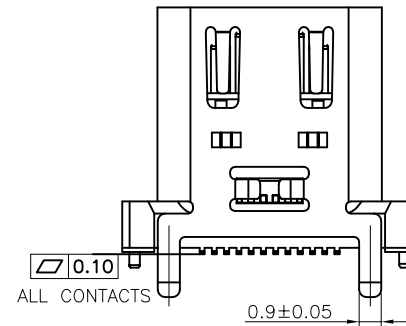
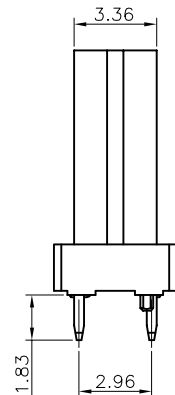
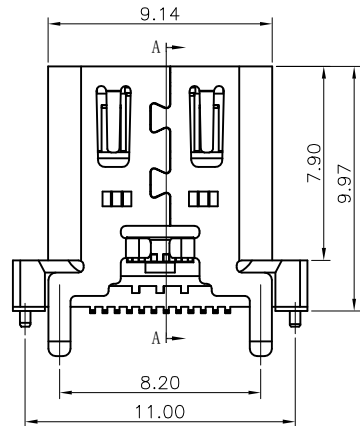
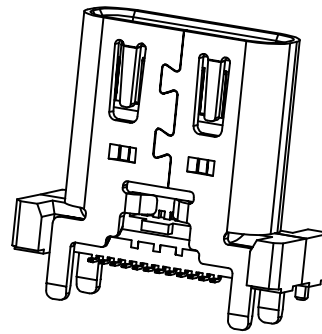
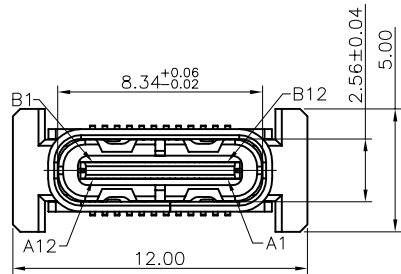


RoHS Compliant

THIS DRAWING CONTAINS INFORMATION THAT IS PROPRIETARY TO ZDT TECHNOLOGY, AND SHOULD NOT BE USED WITHOUT WRITTEN PERMISSION

| REV | ECN No. | DATE | REMARK |
|-----|--------------|------------|-----------------------|
| A | NEW | 2017.03.21 | NEW RELEASE |
| B | ECN1706005 | 2017.06.08 | 底部加胶0.15 |
| C | ECN1707018 | 2017.07.24 | 端子SMT面增加0~0.2mm尺寸管控 |
| D | ECN1908008 | 2019.08.24 | 变更新图号, 变更盖子 |
| E | ECR202005016 | 2020.05.27 | 提升制程良率, 优化塑胶MOLDING结构 |
| F | ECR2011007 | 2020.11.20 | 端子脚长1.57改为1.83 |



NOTE:

1.MATERIAL SPECIFICATION:

- 1.HOUSING: PA9T ,UL94 V-0.
- 2.TERMINAL: COPPER ALLOY
- 3.MID PLATE: STAINLESS STEEL(SUS301)
- 4.FRONT SHELL: STAINLESS STEEL(SUS304)

2.PLATING SPECIFICATION:

2-1.TERMINAL:

- Ni 50u" MIN. UNDER PLATED OVER ALL.
- Au PLATED ON THE FUNCTIONAL AREA OF CONTACT.
- (GOLD PLATING THICKNESS FOLLOW THE P/N)
- PLATING SPECIFICATIONS OF THE SOLDER AREA FOLLOW THE P/N

2-2.SHELL:

- Ni 50u" MIN. UNDER PLATED OVER ALL.

2-3.MID PLATE:

- CLEAR ONLY

3.MECHANICAL PERFORMANCE,

- 3-1.INSERTION FORCE: 0.5~2.0kgf.
- 3-2.REMOVAL FORCE: 0.8kgf~2.0kgf.
- 3-3.DURABILITY: 10000 CYCLES.

4.ELECTRICAL PERFORMANCE,

- 4-1. VOLTAGE RATING: 5 V DC/AC (RMS. max)
- CURRENT RATING: 5 AMPS. FOR TOTAL VBUS/GND PINS;
- 1.25AMPS FOR CC PIN, 0.25 AMPS. FOR ALL OTHER CONTACT.
- 4-2. LLCR: VBUS & GND PINS AND OTHER PINS: 40mΩ/PIN MAX. SHIELD: 50mΩ/MAX. LLCR MAX. CHANGE OF ALL PINS: 10mΩ.
- 4-3.INSULATION RESISTANCE: 100MΩ MIN
- 4-4.DIELECTRIC WITHSTAND VOLTAGE, AC 100V FOR 1 MINUTE.

5. ENVIRONMENTAL PERFORMANCE:

- OPERATING TEMPERATURE: -25°C~+85°C.

6.IR REFLOW:

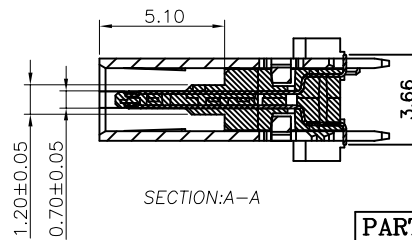
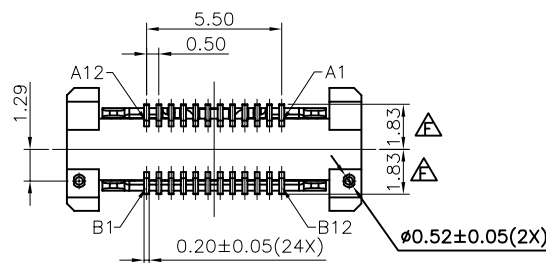
- THE PEAK TEMPERATURE ON THE BOARD SHALL BE MAINTAINED FOR 10 SECONDS AT 260°C.

7. PART NUMBER CODE:

Z-CF036 S L X XX R - C - 01
(1) (2)

(1) HOUSING COLOR: (2) CONTACTS PLATED:

- B: BLACK
- N: Natural
- 12: 接触镀金3u" 焊接区域镀金1u"
- 15: 接触镀金30u" 焊接区域镀金1u"



PART NO.:

SEE THE PART NUMBER CODE

ZDT 深圳市中科兴达科技有限公司
SHENZHEN ZDT TECHNOLOGY CO., LTD

DRAWN BY SAM DATE 2020.11.20

QUALITY SYMBOL

| QUALITY SYMBOL | GENERAL TOLERANCES (UNLESS SPECIFIED) |
|----------------|---------------------------------------|
| 0 | x.xxxxx ± --- |
| 0 | x.xxx ± 0.10 |
| 0 | x.xx ± 0.25 |
| 0 | x.x ± 0.30 |
| 0 | ANGULAR ± --- |

TITLE USB C F 直立式四脚插板 CONN.

DWG.NO. CF036-01

DIMENSION STYLE MM ONLY DESIGN UNITS METRIC

SHEET NO. 1 OF 2

SCALE 1:1

CHECKED BY JAY DATE 2020.11.20

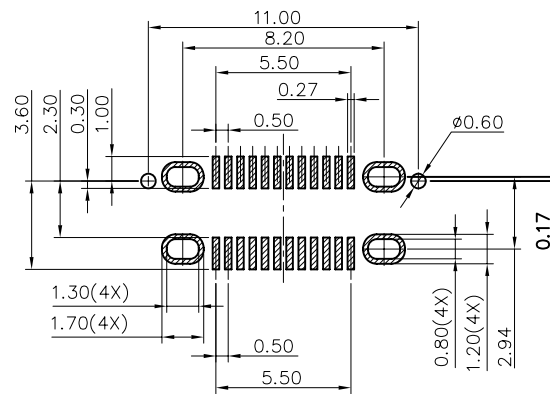
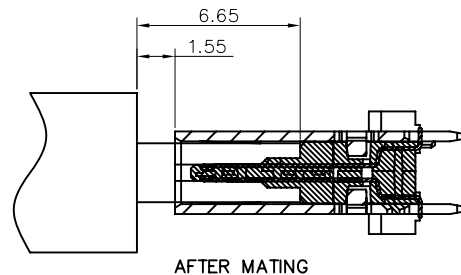
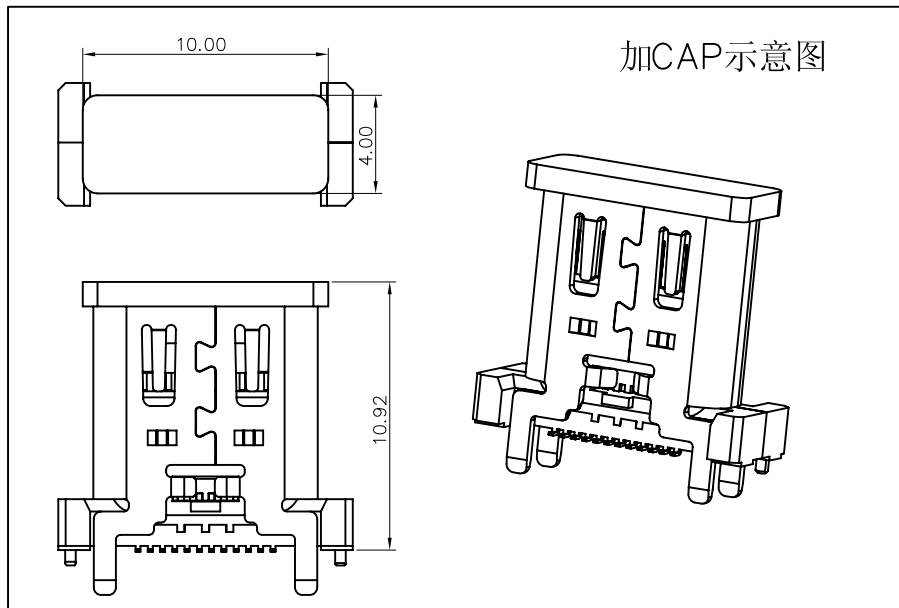
APPROVED BY JACKY DATE 2020.11.20

THIRD ANGLE PROJECTION

RoHS Compliant

THIS DRAWING CONTAINS INFORMATION THAT IS PROPRIETARY TO ZDT TECHNOLOGY, AND SHOULD NOT BE USED WITHOUT WRITTEN PERMISSION

| REV | ECN No. | DATE | REMARK |
|-----|--------------|------------|-----------------------|
| A | NEW | 2017.03.21 | NEW RELEASE |
| B | ECN1706005 | 2017.06.08 | 底部加胶0.15 |
| C | ECN1707018 | 2017.07.24 | 端子SMT面增加0~0.2mm尺寸管控 |
| D | ECN1908008 | 2019.08.24 | 变更新图号, 变更盖子 |
| E | ECR202005016 | 2020.05.27 | 提升制程良率, 优化塑胶MOLDING结构 |
| F | ECR2011007 | 2020.11.20 | 端子脚长1.57改为1.83 |



RECOMMENDED PCB LAYOUT(TOP VIEW)
THICKNESS 1.0±0.10MM;DEFAULT TOLERANCE:±0.05

USB TYPE-C PIN ASSIGNMENTS

| PIN NUMBER | SIGNAL NAME | PIN NUMBER | SIGNAL NAME |
|------------|-------------|------------|-------------|
| A1 | GND | B12 | GND |
| A2 | SSTXp1 | B11 | SSRXp1 |
| A3 | SSTXn1 | B10 | SSRXn1 |
| A4 | Vbus | B9 | Vbus |
| A5 | CC1 | B8 | SBU2 |
| A6 | Dp1 | B7 | Dn2 |
| A7 | Dn1 | B6 | Dp2 |
| A8 | SBU1 | B5 | CC2 |
| A9 | Vbus | B4 | VBUS |
| A10 | SSRXn2 | B3 | SSTXn2 |
| A11 | SSRXp2 | B2 | SSTXp2 |
| A12 | GND | B1 | GND |

| | | | | | |
|---|---------------------------------------|--|--------------------------------|------------------------|--------------------|
| PART NO.: SEE THE PART NUMBER CODE | | ZDT 深圳市中兴兴达科技有限公司 SHENZHEN ZDT TECHNOLOGY CO., LTD | | DRAWN BY SAM | DATE 2020.11.20 |
| QUALITY SYMBOL 0 0 0 0 0 | GENERAL TOLERANCES (UNLESS SPECIFIED) | | TITLE USB C F 直立式四脚插板 CONN. | | |
| | x.xxxx | ± --- | DWG.NO. | SHEET NO. | |
| | x.xxx | ± 0.10 | CF036-01 | 2 OF 2 | |
| | x.xx | ± 0.25 | DIMENSION STYLE | | SCALE |
| | x.x | ± 0.30 | MM ONLY | DESIGN UNITS METRIC | 1:1 |
| ANGULAR | ± ---° | APPROVED BY JACKY | | | |
| DATE 2020.11.20 | | | | | |
| THIRD ANGLE PROJECTION | | | | | |

frame size: A4