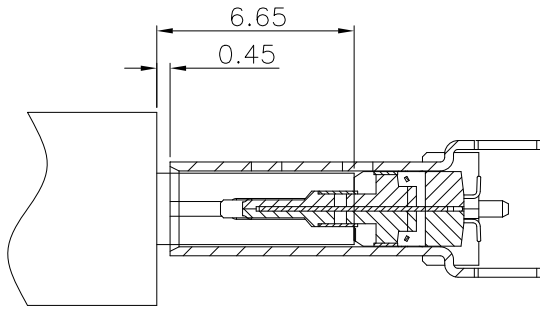
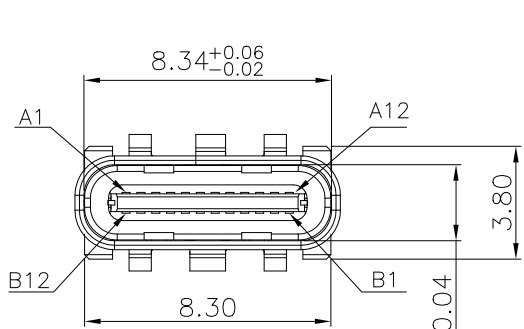
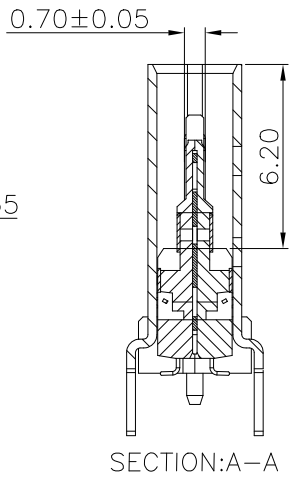
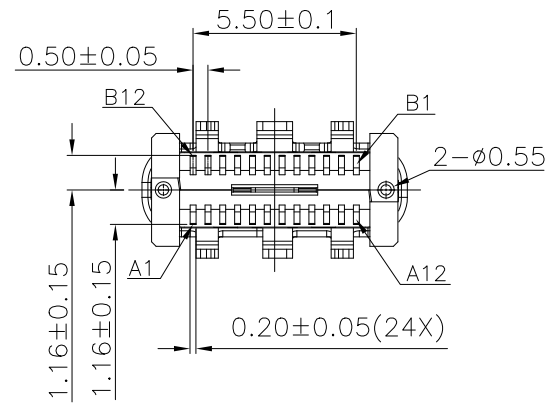
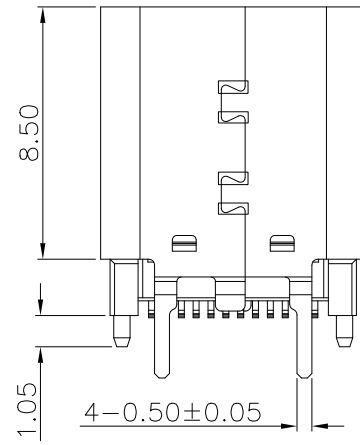
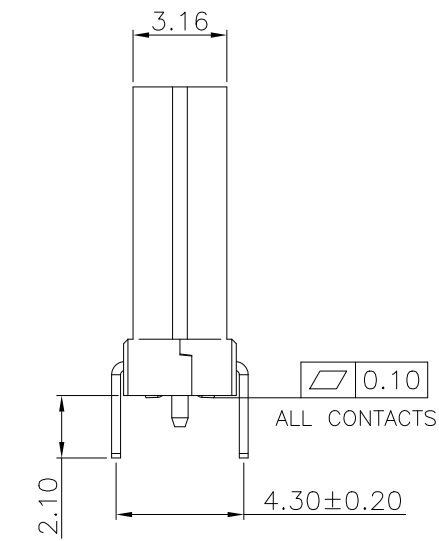
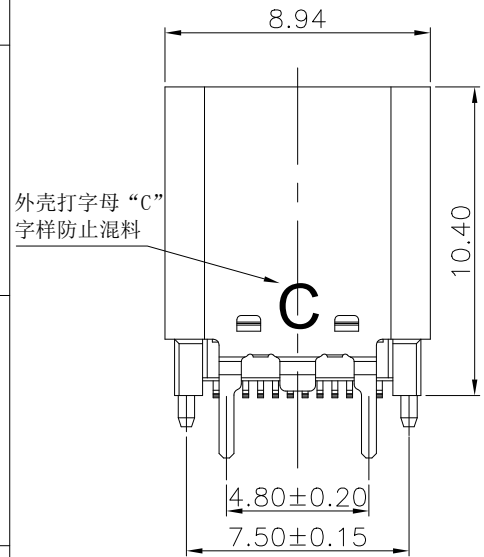


REV	ECN No.	DATE	REMARK
A0	NEW	2019.11.21	NEW RELEASE



AFTER MATING



SECTION:A-A

NOTE:

- MATERIAL SPECIFICATION:
 - HOUSING:HIGH TEMPERATURE RESISTANT PLASTIC(LCP),UL94 V-0.
 - CONTACTS:COPPER ALLOY(C1814)T=0.12mm
 - MID PLATE: STAINLESS STEEL(SUS301)T=0.15mm
 - EMI PLATE: STAINLESS STEEL(SUS301)T=0.10mm
 - SHELL: STAINLESS STEEL(SUS304)T=0.30mm
- PLATING SPECIFICATION:
 - CONTACTS:
 - Ni 50u" MIN. UNDER PLATED OVER ALL.
 - Au PLATED ON THE FUNCTIONAL AREA OF CONTACT. (GOLD PLATING THICKNESS FOLLOW THE P/N)
 - FRONT SHELL&OUTER SHELL:
 - Ni 30u" MIN. UNDER PLATED OVER ALL.
 - MID PLATE:
 - CLEAR ONLY
 - EMI PLATE:
 - CLEAR ONLY
- MECHANICAL PERFORMANCE,
 - INSERTION FORCE: 0.5~2.0kgf.
 - EXTRACTION FORCE: 0.8kgf~2.0kgf.
 - DURABILITY: 10000 CYCLES.
- ELECTRICAL PERFORMANCE,
 - CURRENT RATING:5.0A
VOLTAGE RATING:5.0V
 - LLCR:
 - VBUS & GND PINS AND OTHER PINS: 40mΩ/PIN MAX.
 - SHIELD: 50mΩ/MAX.
 - LLCR MAX. CHANGE OF ALL PINS: 10mΩ.
 - INSULATION RESISTANCE: 100MΩ MIN
 - DIELECTRIC WITHSTAND VOLTAGE,AC 100V FOR 1 MINUTE.
- ENVIRONMENTAL PERFORMANCE:
 - OPERATING TEMPERATURE: -25°C~+85°C.
- IR REFLOW:
 - THE PEAK TEMPERATURE ON THE BOARD SHALL BE MAINTAINED FOR 10 SECONDS AT 260°C.
- PART NUMBER CODE:

C F176 - 24 S L B XX R - C3

① ②

① HOUSING: ② CONTACTS PLATED:
B:BLACK 02:半金锡3u"

PART NO.:
SEE THE PART NUMBER CODE

ZDT 深圳市中科兴达科技有限公司
SHENZHEN ZDT TECHNOLOGY CO., LTD

DRAWN BY: SAM DATE: 2019.11.21

QUALITY SYMBOL	GENERAL TOLERANCES (UNLESS SPECIFIED)	
	x.xxxx	± ---
	x.xxx	± 0.10
	x.xx	± 0.25
	x.x	± 0.30
ANGULAR	± --°	

TITLE: USB 3.1 TYPE C FEMALE VERTICAL
H=10.4mm SMT TYPE脚长2.1三次成型

DWG.NO. CF176-24-C3 SHEET NO. 1 OF 2

DIMENSION STYLE: MM ONLY DESIGN UNITS: METRIC SCALE: 1:1

CHECKED BY: JAY DATE: 2019.11.21

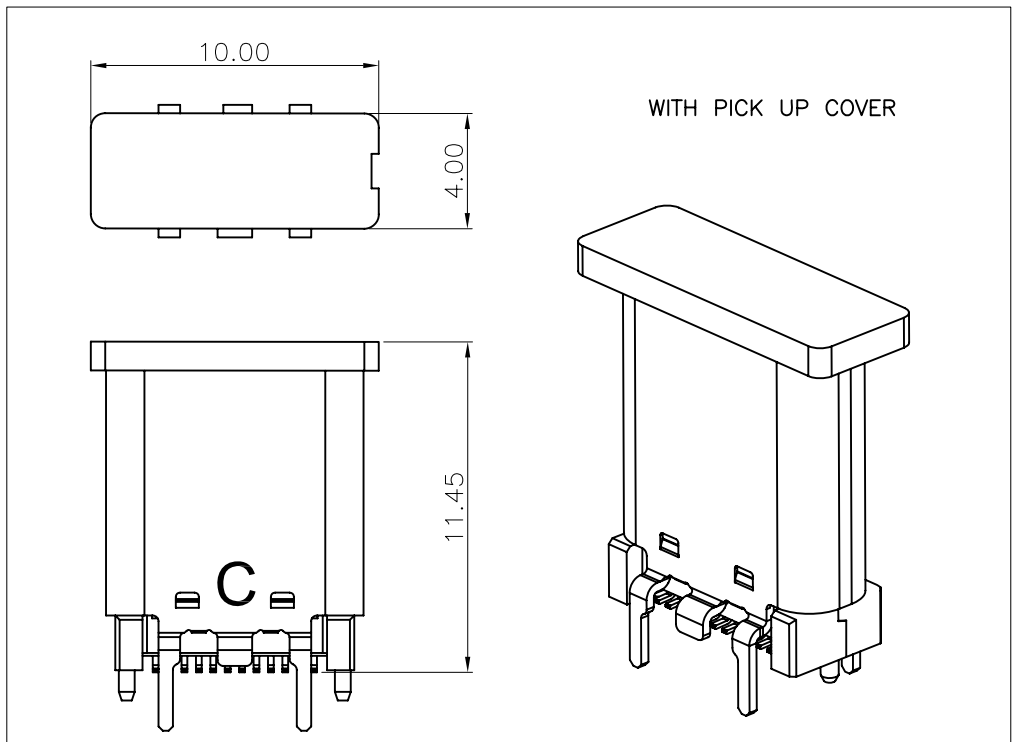
APPROVED BY: JACKY DATE: 2019.11.21

THIRD ANGLE PROJECTION

RoHS Compliant 

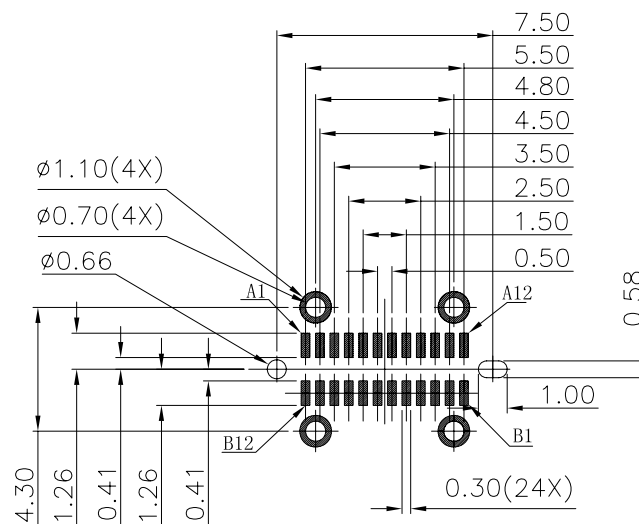
THIS DRAWING CONTAINS INFORMATION THAT IS PROPRIETARY TO ZDT TECHNOLOGY, AND SHOULD NOT BE USED WITHOUT WRITTEN PERMISSION

REV	ECN No.	DATE	REMARK
A0	NEW	2019.11.21	NEW RELEASE


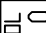
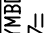
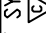
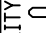



USB TYPE-C PIN ASSIGNMENTS

PIN NUMBER	SIGNAL NAME	PIN NUMBER	SIGNAL NAME
A1	GND	B12	GND
A2	SSTXp1	B11	SSRXp1
A3	SSTXn1	B10	SSRXn1
A4	Vbus	B9	Vbus
A5	CC1	B8	SBU2
A6	Dp1	B7	Dn2
A7	Dn1	B6	Dp2
A8	SBU1	B5	CC2
A9	Vbus	B4	Vbus
A10	SSRXn2	B3	SSTXn2
A11	SSRXp2	B2	SSTXp2
A12	GND	B1	GND



RECOMMENDED PCB LAYOUT(TOP VIEW)
THICKNESS 2.0±0.10MM;DEFAULT TOLERANCE:±0.05

PART NO.: SEE THE PART NUMBER CODE		 深圳市中科兴达科技有限公司 SHENZHEN ZDT TECHNOLOGY CO., LTD		DRAWN BY SAM	DATE 2019.11.21		
QUALITY SYMBOL 0  0  0  0  0  0	GENERAL TOLERANCES (UNLESS SPECIFIED)		TITLE USB 3.1 TYPE C FEMALE VERTICAL H=10.4mm SMT TYPE脚长2.1三次成型		CHECKED BY JAY	DATE 2019.11.21	
	x.xxxx	±	---	DWG.NO. CF176-24-C3	SHEET NO. 2 OF 2	APPROVED BY JACKY	DATE 2019.11.21
	x.xxx	±	0.10				
	x.xx	±	0.25	DIMENSION STYLE MM ONLY	DESIGN UNITS METRIC	SCALE 1:1	THIRD ANGLE PROJECTION
x.x	±	0.30					
ANGULAR	±	---					